

**Non-Metered/Card Ready**

# CROSSOVER<sup>®</sup>

*In a class by itself.*

*The world's first small chassis dryer engineered to commercial laundry standards for your business needs.*



## PROFESSIONAL SPECIFICATIONS

Serving the Route and OPL markets, Crossover Series Dryers meet business demands with durability, energy savings and customer satisfaction.

## FEATURES AND BENEFITS

- ✓ 22+ lb capacity
- ✓ 7.5 cu ft drum
- ✓ Durable stainless steel fixed lint screen
- ✓ Axial airflow
- ✓ Commercial grade components
- ✓ Extra large door opening
- ✓ Roller supported tumbler
- ✓ Heavy steel construction
- ✓ Tapered ribs bring load forward improving dryer performance.

## BEST CUSTOMER EXPERIENCE

- ✓ Faster and more efficient drying
- ✓ Easy loading and unloading with the extra large door opening
- ✓ Large capacity tumbler can handle oversized loads
- ✓ Commercial grade components for maximum dependability and longer life

## MARKET READY DESIGN

- ✓ Space-saving 27" wide to minimize floor space
- ✓ Quiet operation
- ✓ Liquid chemicals are fully diluted with water

**CROSSOVER DRYER**—GAS Model No. DAWF0GNM

**CROSSOVER DRYER**—ELECTRIC Model No. DAWF0ENM

# CROSSOVER

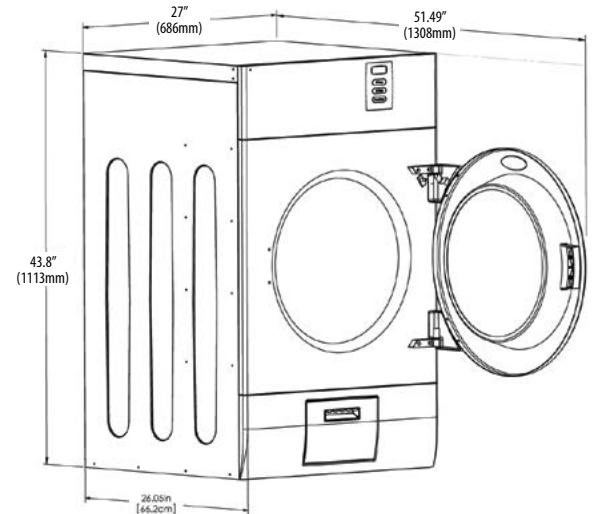
866.580.1010 ✓ [www.crossoverlaundry.com](http://www.crossoverlaundry.com)



# CROSSOVER DRYER

## CROSSOVER DRYER SPECIFICATIONS

<b>Model No.</b>	Non-Metered/Card Ready Gas DAWF0GNM
<b>Model No.</b>	Non-Metered/Card Ready Electric DAWF0ENM
<b>Motor</b>	1/3 HP
<b>Electrical Rating (Gas Model)</b>	120V/60Hz/1-phase
<b>Electrical Rating (Electric Model)</b>	208-240V/60Hz/1-phase
<b>Breaker/Fuse Requirements (Gas Heat)</b>	15A
<b>Breaker/Fuse Requirements (Electric Heat)</b>	30A
<b>Cylinder Volume</b>	7 1/2 cu ft (212 liters)
<b>Cylinder Diameter</b>	25 3/4 in (654 mm)
<b>Cylinder Depth</b>	24 in (609 mm)
<b>Capacity (Dry Weight)</b>	22 lbs (10 kg)
<b>Door Opening</b>	17 1/4 in (438 mm)
<b>Airflow</b>	220 cfm (340 m <sup>3</sup> /h)
<b>Gas Heating</b>	26,000 Btu/hr (6,550 kcal/hr)
<b>Gas Connection</b>	3/8 in MNPT
<b>Tumbling Speed</b>	50 RPM
<b>Exhaust Connection</b>	4 in
<b>Approximate Net Weight</b>	151 lbs (68.6 kg)
<b>Approximate Shipping Weight</b>	171 lbs (77.7 kg)
<b>Overall Dimensions</b>	W D H: 27 1/8 x 31 3/4 x 44 in W D H: 685 x 759 x 1118 mm



Refer installation and servicing to qualified, licensed personnel. Always read installation and Operating Manuals and consult local codes before installation. Protect machines with properly rated circuit breakers ONLY. Warranty void if not properly installed. Specifications subject to change without notice. Laundrylux assumes no responsibility for errors or omissions in this information.

*Laundrylux offers a complete line of Electrolux Professional and Wascomat Commercial Laundry equipment.*

# CROSSOVER

866.580.1010 ✓ [www.crossoverlaundry.com](http://www.crossoverlaundry.com)

CROSSOVER • 461 Doughty Blvd., Inwood, NY 11096

Sales and Administration Tel: 516-371-4400 • Fax: 516-371-4204 • [sales@laundrylux.com](mailto:sales@laundrylux.com)

Spare Parts Tel: 516-371-2000 • Fax: 516-371-4029 • [parts@laundrylux.com](mailto:parts@laundrylux.com)

Technical Support – Tel: 516-371-0700 • Fax: 516-371-4029 • [service@laundrylux.com](mailto:service@laundrylux.com)

En Mexico: Llame gratis a este numero 001-800-010-1010